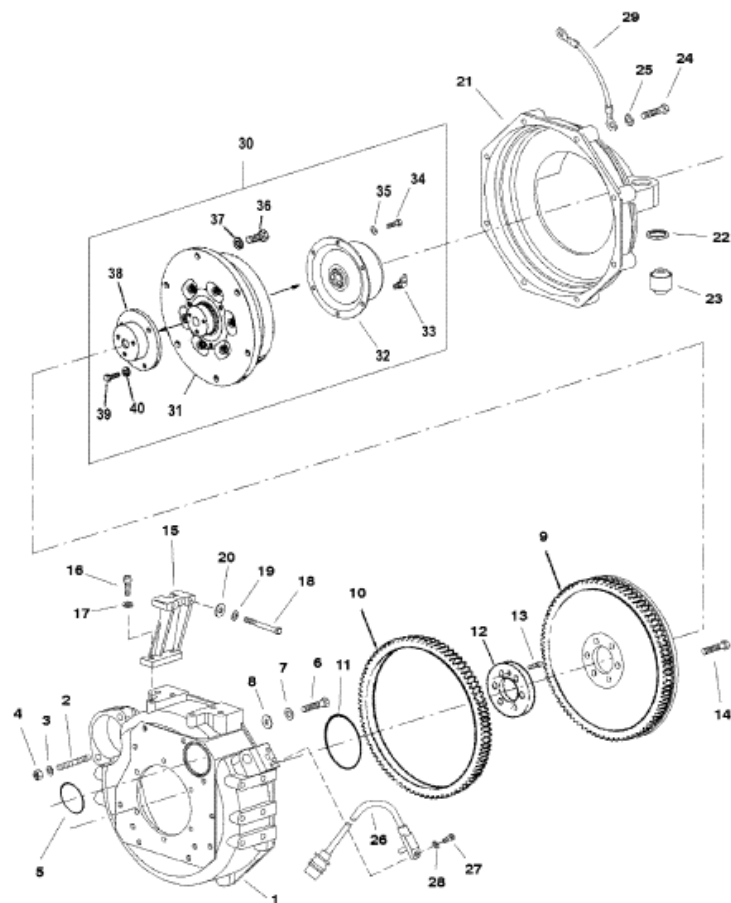


Parts List



Ref	Class	Part	Description	Qty	Comment	Footnote
1		889871	HOUSING-FLYWHEEL	1		1
2	16	809908402	STUD	2		
3	13	811408	LOCKWASHER	2		
4	11	811458	NUT	2		
5	25	801331619	O-RING	1		5
6	10	854106	SCREW (M10 X 25)	9		
7	13	809932112	LOCKWASHER	9		
8	12	811459	WASHER	9		
9	265	889872	FLYWHEEL	1		1
10	43	801331701	RING GEAR	1		
11	25	811498	O-RING	1		5
12		855452	SPACER-FLYWHEEL	1		
13	10	801331698	SCREW (M4 X 10)	1		
14	10	879711	BOLT	6		
15		889922	BRACKET	1		1
16	10	811457	SCREW	2		
17	13	809932110	LOCKWASHER	2		
18	10	811456	SCREW	2		
19	13	811460	LOCKWASHER	2		
20	12	811455	WASHER	2		
21		18718A 7	HOUSING ASSEMBLY-FLYWHEEL	1		
22	23	99322	SPACER	2		
23		88791A 1	MOUNT	2		
24	10	40001206	SCREW (M10 X 50)	7		
25	13	809931076	LOCKWASHER	7		
26	87	854109	SENSOR-ENGINE RPM	1		
27	10	854205	SCREW (M6 X 14)	1		
28	12	811450	WASHER	1		
29	84	62826A 6	WIRE-GROUND	1		
30		18311T10	COUPLING ASSEMBLY	1	(Hub + 2 stage coupler)	
31		805735T 6	COUPLING ASSEMBLY	1	(2 Stage Coupler)	
32		805684A 2	COUPLING HUB	1		
33	22	49099	FITTING-GREASE	2		
34	10	40001189	SCREW (M10 X 20)	6		
35	13	40024 8	LOCKWASHER (M10x25)	6		
36	10	889873	SCREW (M10 X 25)	6		1
37	13	40024 8	LOCKWASHER (M10)	6		
38		805731	COUPLER	1		
39	10	40001 75	SCREW (M6 X 20)	6		
40	13	26392	LOCKWASHER (1/4 IN.)	6		
27		881742	OVERHAUL GASKET SET	1		